

LUMINATORE[®]
by Erler+Pless

ERLER+
PLESS

Your **light.**
Your **style.**
Your **space.**

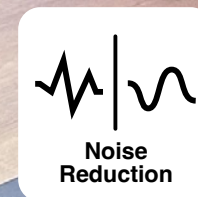
Lumaroom
living



www.luminatore.com/lumaroom_living



Choose your custom configuration:



What is the Lumaroom | living?

The Lumaroom | living is an illuminated wall or ceiling picture with a customizable design, framed by a ring of light that highlights the picture and also illuminates the room.

Additionally, features like ambient lighting and echo reduction can be configured.

These are the distinguishing features of the Lumaroom | living:

- **Unique worldwide:** A decorative illuminated artwork with integrated room lighting and wireless control
- **Eco-friendly and handcrafted locally** in Hamburg, Germany
- **Custom motif**, high-quality printed, and interchangeable – the perfect style element for individualists
- Adaptable as **wall or ceiling lighting** to fit any room setting

The Lumaroom presented in the video

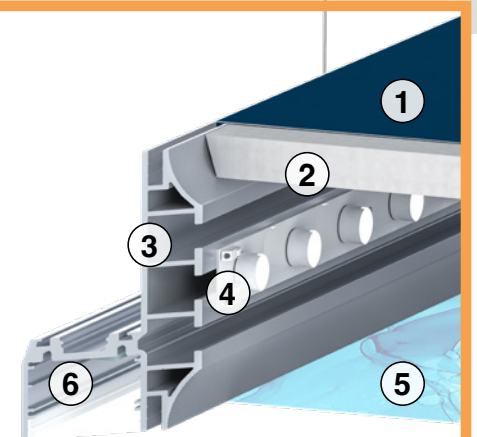
Structure and features of the Lumaroom | living explained in a short video on YouTube:

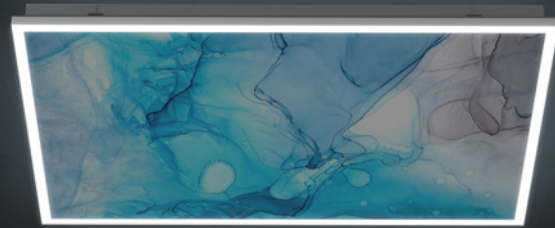
youtu.be/2Cw_ZsNBgn8



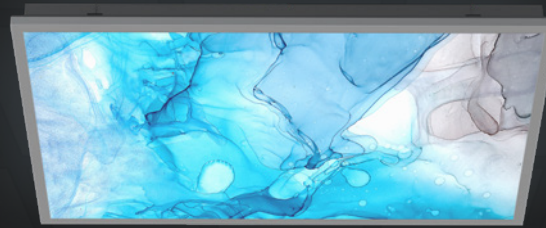
Structure of the Lumaroom | living

- | | | | |
|---|------------------|---|---------------------------|
| 1 | textile (back) | 4 | LED modules (light panel) |
| 2 | acoustic fleece | 5 | printed textile (front) |
| 3 | aluminum profile | 6 | LED modules (High-CRI) |

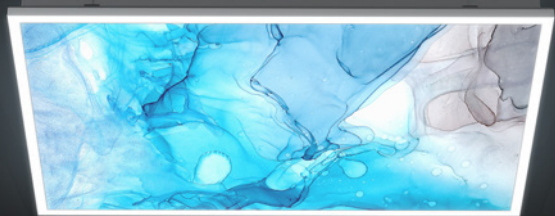




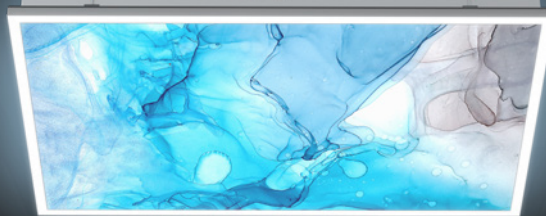
Room lighting



Decorative
illuminated picture



Room lighting +
Decorative illuminated picture



Additional indirect
ambient lighting

Control options of the Lumaroom | living

The separately switchable and dimmable **lighting elements** can be 100% customized to suit your needs. This unique technology makes the Lumaroom | living an exclusive highlight.

The configurable **ambient lighting** can be color-matched to your motif.

Custom configuration

We customize the Lumaroom | living according to your preferences:

Light color, CRI value, ambient lighting, app control, echo reduction – various configurations are available.



CRI 90



CASAMBI



Tunable White



Noise
Reduction

Interchangeable fabric print for greater flexibility and sustainability

The freedom to choose your motif invites you to experience rooms in a new way. The **textile tension fabric technique with silicone edging** in the Lumaroom | living allows for a quick and cost-effective **motif change**. The switch can be done without tools and with just a few simple steps.

Admire a snow motif in winter, blooming meadows in summer, or regularly showcase new artworks. With the Lumaroom | living, you can continually create a new atmosphere and influence the mood of the room.



Control with CASAMBI

The included switch and a smartphone with the **CASAMBI app** can be used as a remote control.

Alternatively, the switch can be used like a regular light switch. This gives you direct access to all the important functions of the Lumaroom | living at any time.



LED room lighting (light ring)

Light color: cool white 5000 K (standard), can be customized

Size: 40 mm wide

Color rendering: up to > CRI 90

Lifespan: 50,000+ hours



LED illuminated picture (backlighting for fabric print)

Light color: cool white 6500 K

Lifespan: 50,000+ hours



LED ambient lighting (optional)

Light color: freely adjustable from millions of colors

Lifespan: 50,000+ hours



Wireless wall switch, battery-free

Wireless signal: 2,4..2,483 GHz; 0,4 dBm. (4 channels)

Range: up to 10 m (within a room)

Dimensions: 81 x 81 x 14 mm

Power supply: Battery-free and maintenance-free through "Energy Harvesting"

Accessories: Includes Jäger Direkt Opus 55 Inform frame. The central part can be used in frames from other switch series with an internal frame size of 55 x 55 mm.

Note: Alternative switch or lighting control solutions are configurable.



Brilliant digital fabric print

Material: E+P backlit fabric, translucent

Print: 4C digital sublimation printing, completely odorless

Finishing: 14 x 3 mm flat silicone edging sewn all around

Fire protection: B1 certificate – flame retardant

Note: Machine washable at 30°C



Aluminum frame

Material: Aluminum profile, 120 mm thick

Color: Silver anodized, EV-E1 (standard), can be painted or powder-coated in your desired RAL color

Features: Includes mounting kit

Note: Pre-assembled and ready for connection with a 3-pole lighting terminal



Acoustically effective fleece (optional)

Acoustic fleece: Solid acoustic panel made of fleece, 20 mm, white

Sound absorption class: A with 200 mm wall distance according to DIN EN ISO 11654

Fire protection: B1 certificate – flame retardant

Note: Fleece materials certified according to Standard 100 by OEKO-Tex®

LUMINATORE[®]
by Erler+Pless

ERLER+
PLESS

Lumaroom
living

www.luminatore.com/lumaroom_living

Erler+Pless GmbH

Phone: +49 40 - 248 448 0
Fax: +49 40 - 248 448 40
info@erlerundpless.de

Location Hamburg

Holstenhofweg 43
D-22043 Hamburg
www.erlerundpless.de

Location Bad Bramstedt

Tegelbarg 33
D-24576 Bad Bramstedt
www.luminatore.com

